

MICRO SWITCH

A DIVISION OF MINNEAPOLIS-HONEYWELL REGULATOR COMPANY
 PROSPERITY, ALABAMA
 FED. MFR. CODE 91929

ACTUATOR - SWITCH

CATALOG LISTING
MC2711H

(M) MC2711H
 ISSUE 2

MC2711H
 PAGE 1 OF 1

M

DRAWING NUMBER

ISSUE

7

REPLACES

RELEASE NO.

CHECK

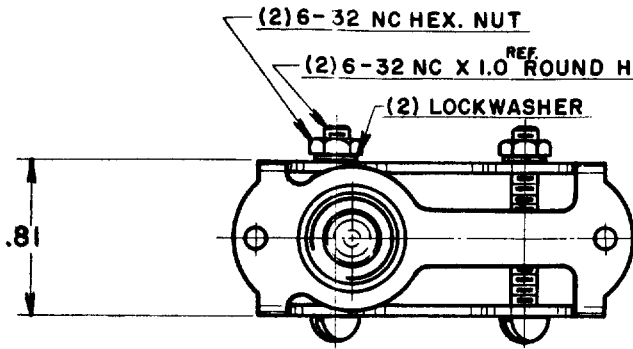
CHECK

CHECK

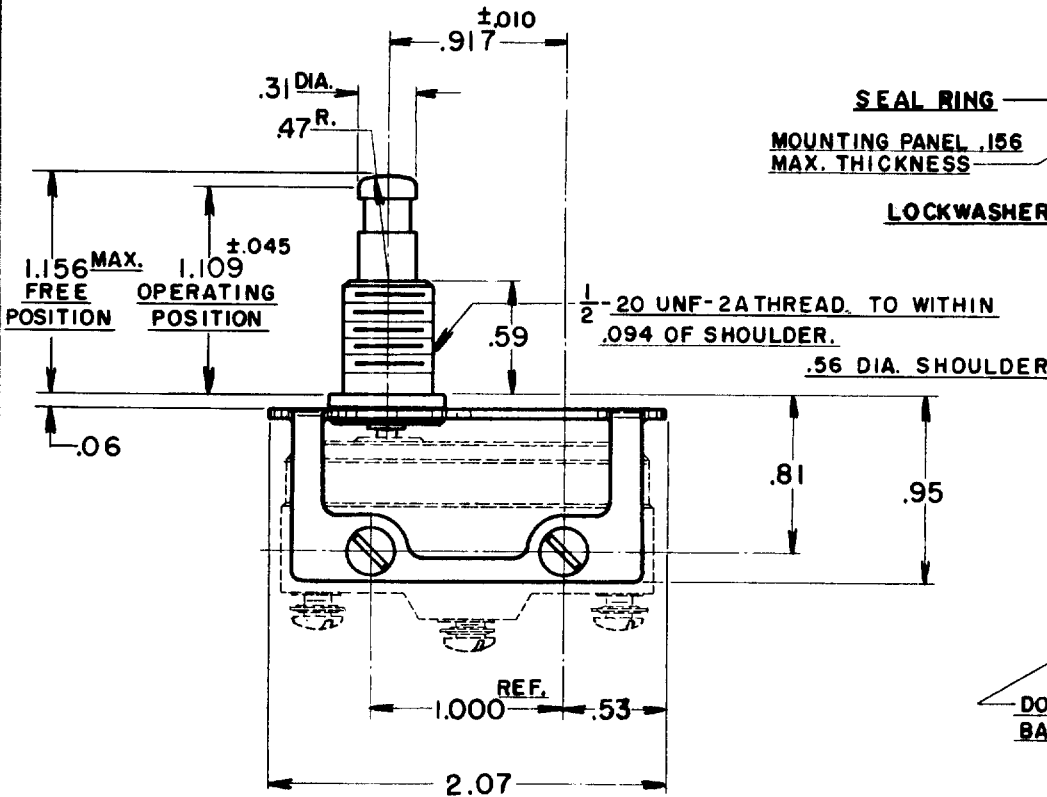
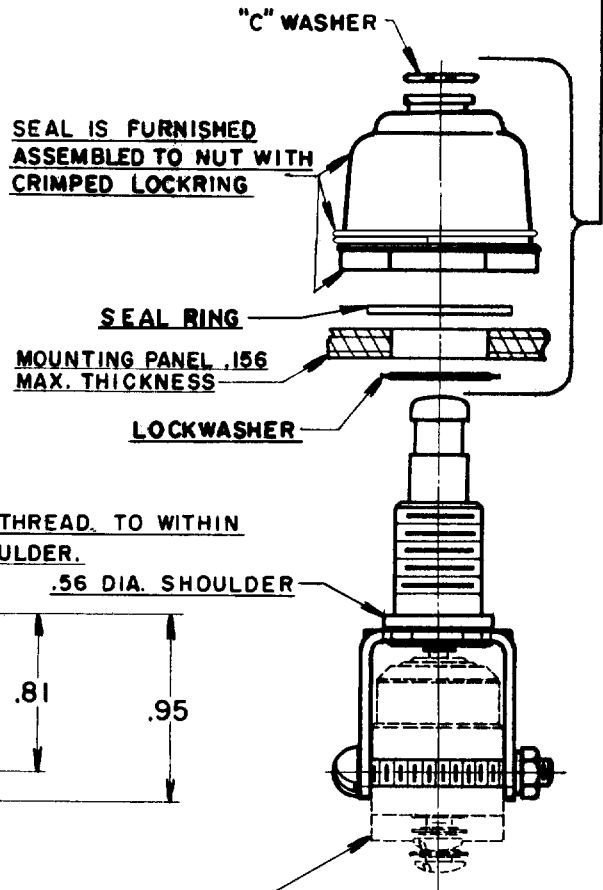
DRAWN

REVISIONS

A	CO 8520	R. L. Z.	21 SEPT 56
B	CO13082	O. M. W.	12 MAR 59
C	CO38152	K. P. K.	24 JAN 77
D	CO74163	D. H. D.	21 APR 93
E	CO95149	DLM	8 JUNE 99



THESE PARTS ARE SUPPLIED UNASSEMBLED
 IN PACKAGE WITH EACH ACTUATOR



DOTTED LINES INDICATE BASIC SWITCH IN PLACE.

NOTE -
 1 - SCREWS, NUTS, AND LOCKWASHERS FURNISHED UNASSEMBLED.

THIS DRAWING COVERS A PROPRIETARY ITEM AND IS THE PROPERTY OF MICRO SWITCH, A DIVISION OF HONEYWELL. THIS DRAWING IS NOT TO BE COPIED OR USED WITHOUT THE APPROVAL OF MICRO SWITCH.

CHARACTERISTICS

FULL OVERTRAVEL FORCE --- 6 LBS. MAX.

OVERTRAVEL --- .188 MIN.

ELECTRICAL DATA

CONTACT ARRANGEMENT

BREAK DISTANCE

SCALE FULL

DO NOT SCALE PRINT

UNLESS OTHERWISE SPECIFIED
 DIMENSIONS ARE IN INCHES
TOLERANCES ARE:

ONE PLACE	(.0)	±.030
TWO PLACE	(.00)	±.015
THREE PLACE	(.000)	±.005
ANGLES		±

WEIGHT

FORMTEK
 FO-50378

R. L. Z. 21 SEPT. 56

CHECK G.C.N. 28 SEPT 58

CHECK C.N.T. 25 SEPT 56